



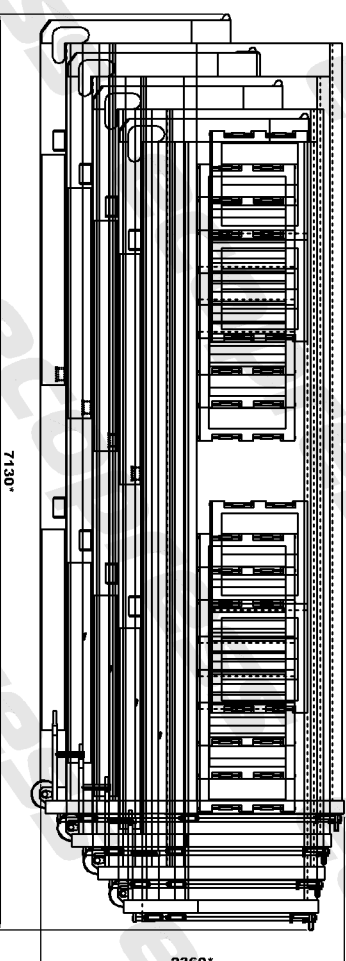
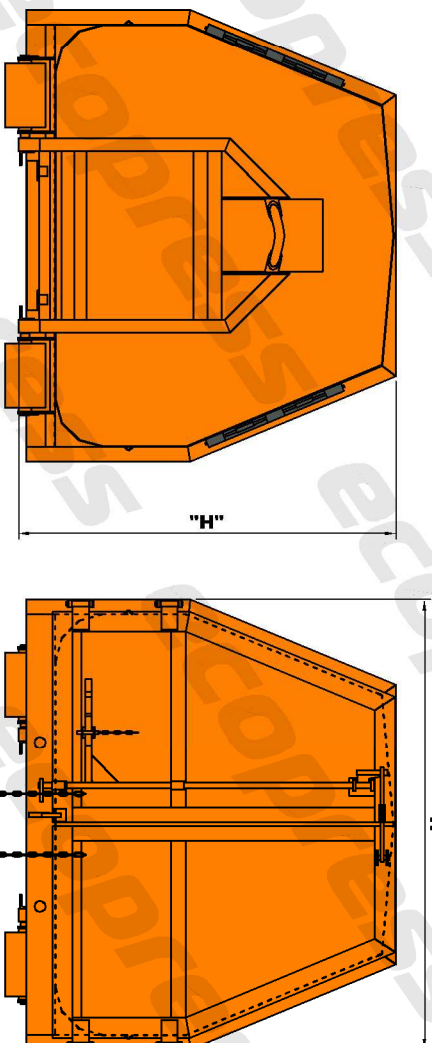
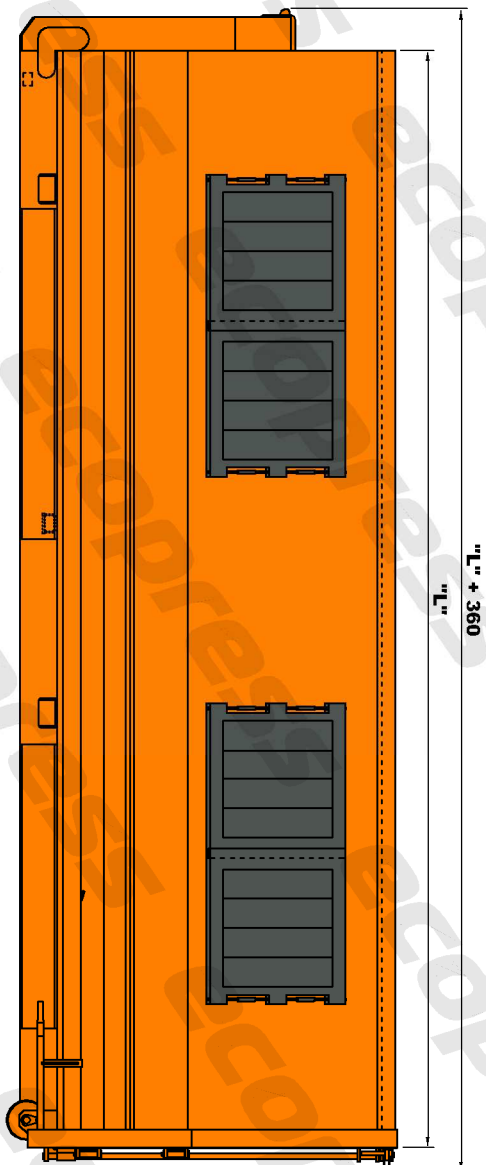
Type CLC Closed specification:

- Frame fully reinforced according to SS3021 (UNP200), DIN30722/SFS4417 (INP180)
- Plastic lids DR3232, 2 pairs on each side (steel lids are available on demand as well 3 pairs on each side)
- Sides 3mm S235 (S355 is available on demand as well 2mm thickness)
- Bottom 3mm S235 (S355 is available on demand as well 4mm/5mm thickness)
- No bottom profiles, support reinforcement 4pcs
- Back beam 6mm S355
- Back profiles 6mm S355
- Double side opening rear doors with 2 hinges with grease nipple on each hinge
- Bar-type (German) locking mechanism (other types of locking mechanism are available on demand)
- Safety lock operated from the side
- Reflex decals
- Surface treatment:
 - shot blasting sa 2.5
 - inside 60µm alkyd primer
 - outside min 120µm 2K polyurethane EN ISO 12944 C3M

Options:

- Partition wall inside of the container for collection of different types of waste
- Hanging rear door (hinges on top)
- Roof lid for loading from top
- Steel plates on sides for logo stickers
- LOGO stickers and serial numbers
- Ladders on sides in back

Other extras are available on demand.



Model CLC Closed

Type	L, mm	W, mm	H, mm	V, m ³
CLC11C	5200	1950	1550	11.1
CLC13C	6000	2110	1550	12.7
CLC16C	5600	2270	1810	15.7
CLC17C	6000	2270	1810	16.9
CLC22C	6000	2470	2060	21.8
CLC27C	6000	2550	2360	27.0

Loading: 4pcs in stack

- CLC27C/6000 - 1pc
- CLC22C/6000 - 1pc
- CLC17C/6000 - 1pc
- CLC13C/6000 - 1pc

Locking device: Swedish lock / German lock

Frame: SS3021 / SFS4417 / DIN30722
 Sides: 2mm/3mm S235/S355
 Bottom: 3mm/4mm/5mm S235/S355